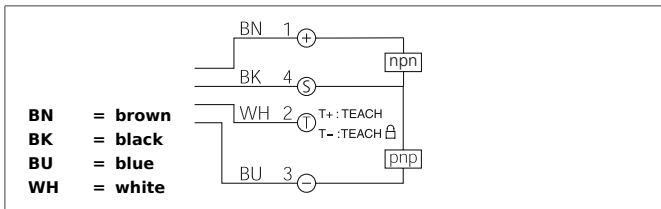


OKTTI 55 M 30 FG3LK-IBS

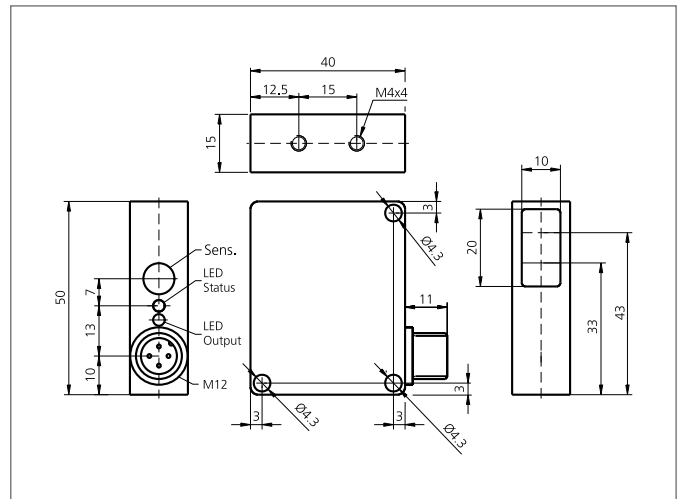
Optical Contrast Diffuse Sensor

- Contrast diffuse sensor with high resolution for detecting print marks
- Teach-in key / remote teach option / lock function
- Auto-teach during a running process
- LED indicator for the teach procedure
- Robust metal casing



Safety instructions

The Instruments are not to be used for safety applications, in particular applications in which safety of persons depends on proper operation of the instruments.
These instruments shall exclusively be used by qualified personnel.



TECHNICAL INFORMATION (typ.)	+20°C, 24V DC
Size	50 x 40 x 15 mm (Dimensions)
Emitted light	White, clocked
Service voltage	10 ... 35 V DC
Internal power consumption	< 40 mA
Diameter of light spot	Ø 3 mm
Operating distance	30 ± 3 mm
Resolution	Ø 0,7 mm
Sensitivity adjustment	Teach key + remote teach
Switching output	Push pull, 200 mA, NO/NC, switchable
Switching hysteresis	< 0,01 mm
Voltage drop	< 2,0 V
Switching frequency	3.000 Hz
Ambient temperature	-10 ... +60 °C
Ambient light immunity	20 kLx
Insulation voltage endurance	500 V
Protection class	IP 67
Casing material	Die-cast zinc black lacquered finish
Material	polycarbonate (Window)
Connection	Connector, M12, 4-poled
Connecting cable	VK ...